

TERMSERIES
TOZ 24VDC 24VDC5A

Weidmüller Interface GmbH & Co. KG
 Klingenbergstraße 16
 D-32758 Detmold
 Germany
 Fon: +49 5231 14-0
 Fax: +49 5231 14-292083
 www.weidmueller.com



TERMSERIES solid-state relay modules consisting of a solid-state relay and a base with AC/DC/UC input; available in different versions:

- With screw and tension-clamp connection
- With AC and DC outputs
- In 6.4 mm and 12.8 mm width
- Optionally with multiple-voltage input: 24 to 230 V UC
- With various protective circuits in the input (free-wheel diode, RC element)
- Illuminated ejection lever

General ordering data

Type	TOZ 24VDC 24VDC5A
Order No.	1990980000
Version	TERMSERIES, solid-state relays, 1 NO contact (MOS-FET), Rated control voltage: 24 V DC $\pm 20\%$, Rated switching voltage: 3...33 V DC, Continuous current: 5 A, Tension clamp connection
GTIN (EAN)	4050118379303
Qty.	10 pc(s).

**TERMSERIES
TOZ 24VDC 24VDC5A**

Weidmüller Interface GmbH & Co. KG
 Klingenbergstraße 16
 D-32758 Detmold
 Germany
 Fon: +49 5231 14-0
 Fax: +49 5231 14-292083
 www.weidmueller.com

Technical data
Dimensions and weights

Width	12.8 mm	Width (inches)	0.504 inch
Height	90.5 mm	Height (inches)	3.563 inch
Depth	87.8 mm	Depth (inches)	3.457 inch
Net weight	54.6 g		

Temperatures

Humidity	5–95% rel. humidity, $T_u = 40^\circ\text{C}$, no condensation	Operating temperature, max.	60 °C
Operating temperature, min.	-20 °C	Storage temperature, max.	70 °C
Storage temperature, min.	-40 °C	Operating temperature	-20 °C...60 °C
Storage temperature	-40 °C...70 °C		

Probability of failure

MTTF	1,061 Years
------	-------------

Control side

Rated control voltage	24 V DC $\pm 20\%$	Nominal control current	10 mA DC $\pm 20\%$
Power rating	240 mW	Cut-in / dropout voltage	4.5 V / 3 V DC
Cut-in / dropout current	0.9 mA / 0.3 mA DC	Status indicator	Green LED
Protective circuit	Free-wheel diode, Reverse polarity protection	Coil voltage of the replacement relay deviating from the rated control voltage	No
Coil voltage of the replacement relay	24 V DC		

Load side

Rated switching voltage	3...33 V DC	Continuous current	5 A
Rated switching current	5 A	Switch-on delay	< 55 μs
Switch-off delay	< 600 μs	Voltage drop at max. load	$\leq 0.3\text{ V}$
Leakage current	< 10 μA	Min. switching current	1 mA
Short-circuit-proof	No	Protective circuit, load side	Free-wheel diode
max. switching frequency (DC control voltage)	300 Hz		

Contact data

Contact type	1 NO contact (MOS-FET)
--------------	------------------------

General data

Mounting rail	TS 35	Colour	Black
---------------	-------	--------	-------

Insulation coordination

Rated voltage	300 V	Pollution severity	2
Surge voltage category	III	Clearance and creepage distances for control side - load side	$\geq 5.5\text{ mm}$
Dielectric strength for control side - load side	2.5 kV _{eff}	Dielectric strength to mounting rail	4 kV _{eff} / 1 min.
Impulse withstand voltage	6 kV (1.2/50 μs)	Protection degree	IP20

TERMSERIES
TOZ 24VDC 24VDC5A**Weidmüller Interface GmbH & Co. KG**
Klingenbergstraße 16
D-32758 Detmold
Germany
Fon: +49 5231 14-0
Fax: +49 5231 14-292083
www.weidmueller.com**Technical data****Further details of approvals / standards**

Standards	DIN EN 50178	Certificate no. (cULus)	E141197
-----------	--------------	-------------------------	---------

Connection data

Wire connection method	Tension clamp connection	Stripping length, rated connection	8 mm
Clamping range, rated connection	1.5 mm ²	Clamping range, min.	0.14 mm ²
Clamping range, max.	2.5 mm ²	Wire connection cross section AWG, min.	AWG 26
Wire connection cross section AWG, max.	AWG 14	Wire cross-section, solid, min.	0.14 mm ²
Wire cross-section, solid, max.	2.5 mm ²	Wire connection cross-section, finely stranded, min.	0.14 mm ²
Wire connection cross section, finely stranded, max.	2.5 mm ²	Wire cross-section, finely stranded, min. (AWG)	AWG 26
Wire cross-section, finely stranded, max. (AWG)	AWG 14	Wire connection cross-section, finely stranded with wire-end ferrules DIN 46228/4, min.	0.14 mm ²
Wire connection cross-section, finely stranded with wire-end ferrules DIN 46228/4, max.	1.5 mm ²	Conductor cross-section, flexible, AEH (DIN 46228-1), min.	0.14 mm ²
Conductor cross-section, flexible, AEH (DIN 46228-1), max.	1.5 mm ²	Twin wire-end ferrules, min.	0.5 mm ²
Twin wire-end ferrules, max.	1 mm ²	Blade size	0.6 x 3.5 mm
Gauge to IEC 60947-1	A1, B1		

Rated data UL

Ambient temperature (operational), max. 55 °C	Output current derating (ohmic)	5 A @ 50 °C, 4 A @ 55 °C	
Connection cross-section AWG, min.	AWG 26	Connection cross-section AWG, max.	AWG 14
Type of conductor	rigid copper conductor, flexible copper conductor	Pollution severity level	2

Classifications

ETIM 5.0	EC001504	ETIM 6.0	EC001504
eClass 6.2	27-37-16-04	eClass 7.1	27-37-16-04
eClass 8.1	27-37-16-04	eClass 9.0	27-37-16-04
eClass 9.1	27-37-16-04		

Approvals

Approvals



ROHS Conform

Downloads

Approval/Certificate/Document of Conformity	DE_PA_5600_160229_002.pdf
Brochure/Catalogue	CAT 4.2 ELECTR 18/19 EN
Engineering Data	EPLAN, WSCAD, Zuken E3.S
User Documentation	Operating Instructions

Creation date August 28, 2018 12:09:52 PM CEST

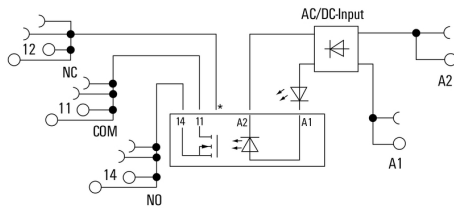
Catalogue status 10.08.2018 / We reserve the right to make technical changes.

**TERMSERIES
TOZ 24VDC 24VDC5A**

Weidmüller Interface GmbH & Co. KG
 Klingenbergstraße 16
 D-32758 Detmold
 Germany
 Fon: +49 5231 14-0
 Fax: +49 5231 14-292083
 www.weidmueller.com

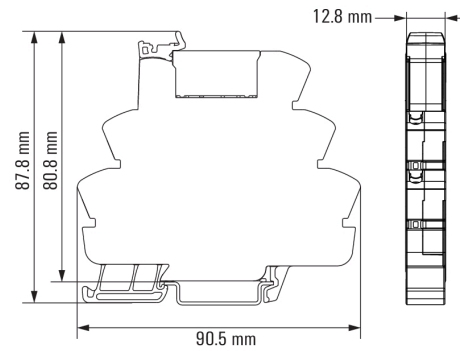
Drawings

Wiring diagram



*Contact is assembled in socket but not used with solid-state relays

Dimensional drawing



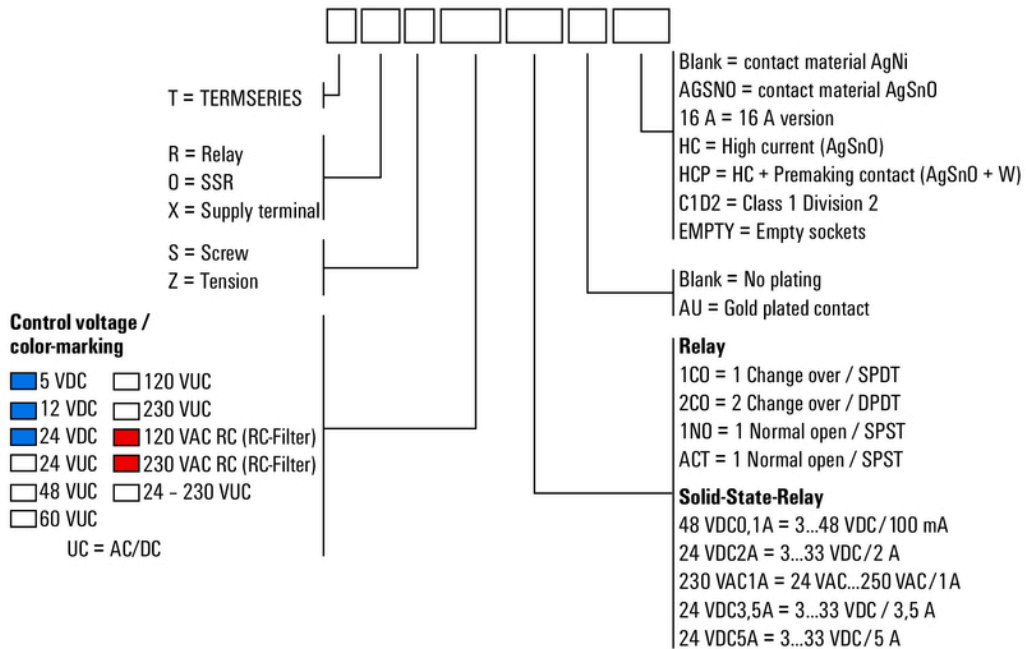
Data sheet

**TERMSERIES
TOZ 24VDC 24VDC5A**

Weidmüller Interface GmbH & Co. KG
 Klingenbergstraße 16
 D-32758 Detmold
 Germany
 Fon: +49 5231 14-0
 Fax: +49 5231 14-292083
 www.weidmueller.com

Drawings

Miscellaneous



Type codes